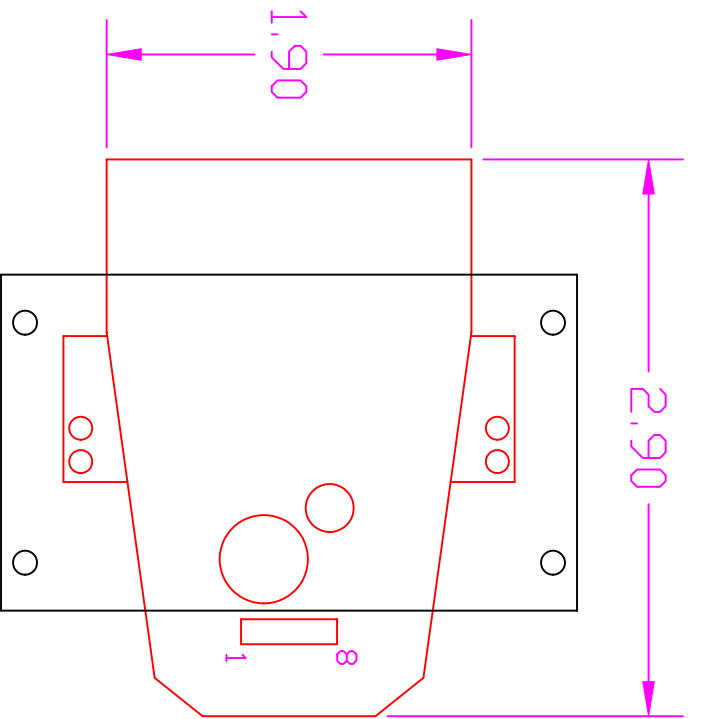
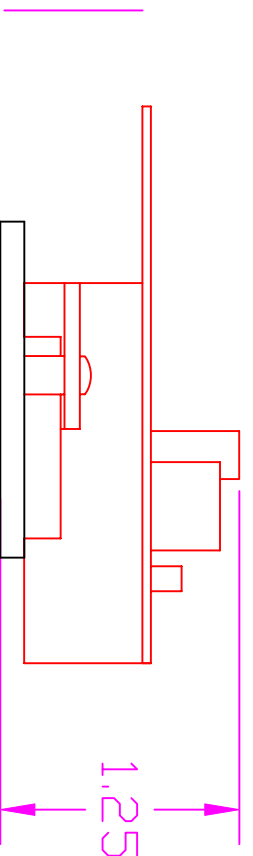


READ RANGE
SEE DATA
SHEET



- 1 Ground
 - 2 RTS
 - 3 RXD
 - 4 CTS
 - 5 DUTPUT S
 - 6 N/C
 - 7 TXD
 - 8 +5VOLTs
- Connect Output S to ground for RS232



MAT'L ALUM. 6061		TOLERANCES UNLESS OTHERWISE SPECIFIED		TITLE CUSTOM SENSORS, INC.	
FINISH: NONE		FRACTIONS +/- 1/64 ANGULAR +/- 1/2 DEG CONCENTRICITY .005 T.I.R.	DECIMAL 2 PLACE +/- .020 3 PLACE +/- .005 4 PLACE +/- .0005	SCALE 1X	DRAWN BY MM
ALL HOLE DIAMETERS FROM .006 TO .125 +/- .002 FROM .126 TO .250 +/- .003 FROM .251 AND UP +/- .004				APPROVED BY	
NOTE: NICKS, SCRATCHES, DR DENTS NOT ALLOWED ON EXTERNAL SURFACES. REMOVE BURRS AND SHARP EDGES.				DATE 10/11/05	
				DRAWING NUMBER 500096	
				REV	
				PAGE 1 OF 1	
				BASEPLATE FOR RS815X	